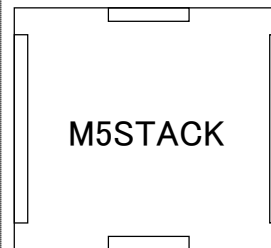
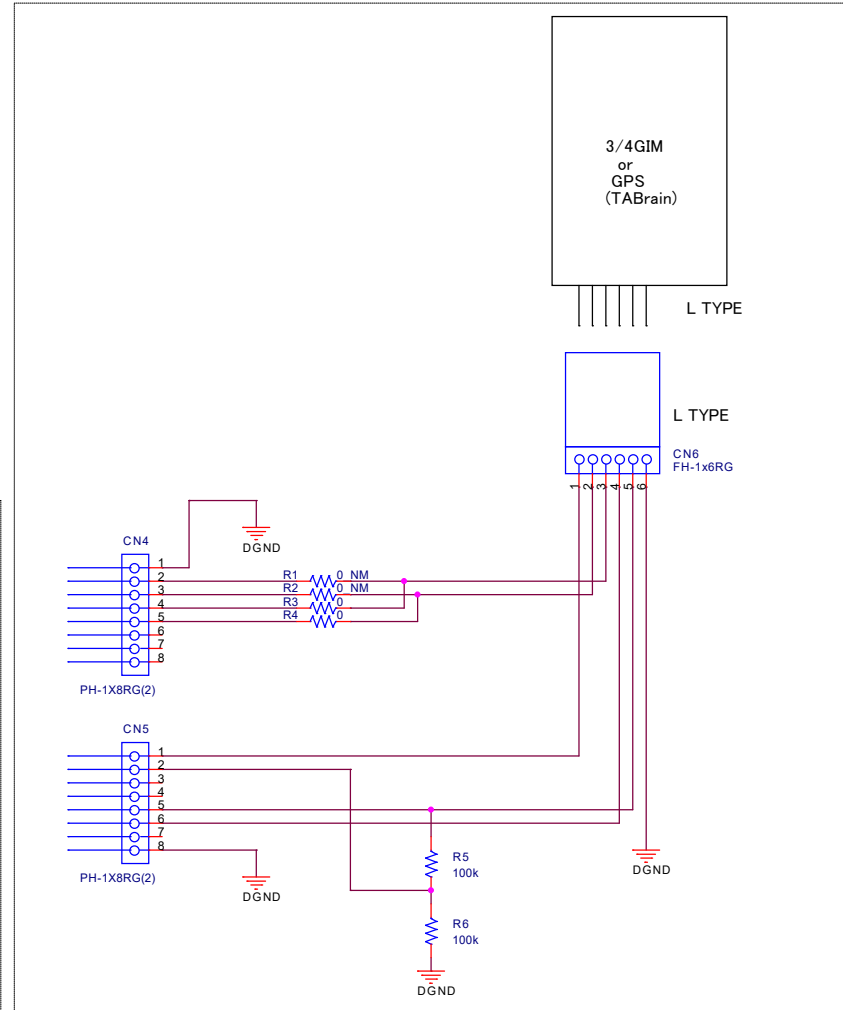
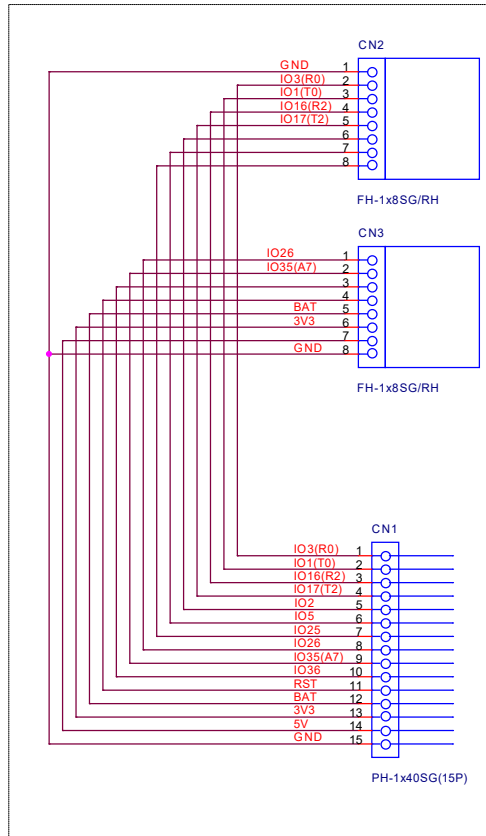


# Board B

# Board A



Title		
M5STACK BASE Board (3GIM for M5STACK)		
Size	Document Number	Rev
A3	<Doc>	<Re Code>
Date:	Monday, September 24, 2018	Sheet 1 of 1